



Yomper

Removable electric motorization for wheelchair

Frame set up guide

v1.0



Table des matières

1.Presentation of the frame.....	3
2.Setting up the frame.....	4
1.Step 1 : unscrew the fixing loops of parts (A) and (B).....	4
2.Step 2 : place both struts (C), screw (without blocking) the fixing loops (A') on the fixed parts (A) .	4
3.Step 3 : screw again (without blocking) the fixing loops (B') of the adjustable parts (B).....	5
4.Step 4 : center the device on the wheelchair.....	5
5.Step 5 : adjust the height of the axis (D)	6

1. Presentation of the device

The fixing frame of the Yomper is delivered already assembled. It is composed of the following items :

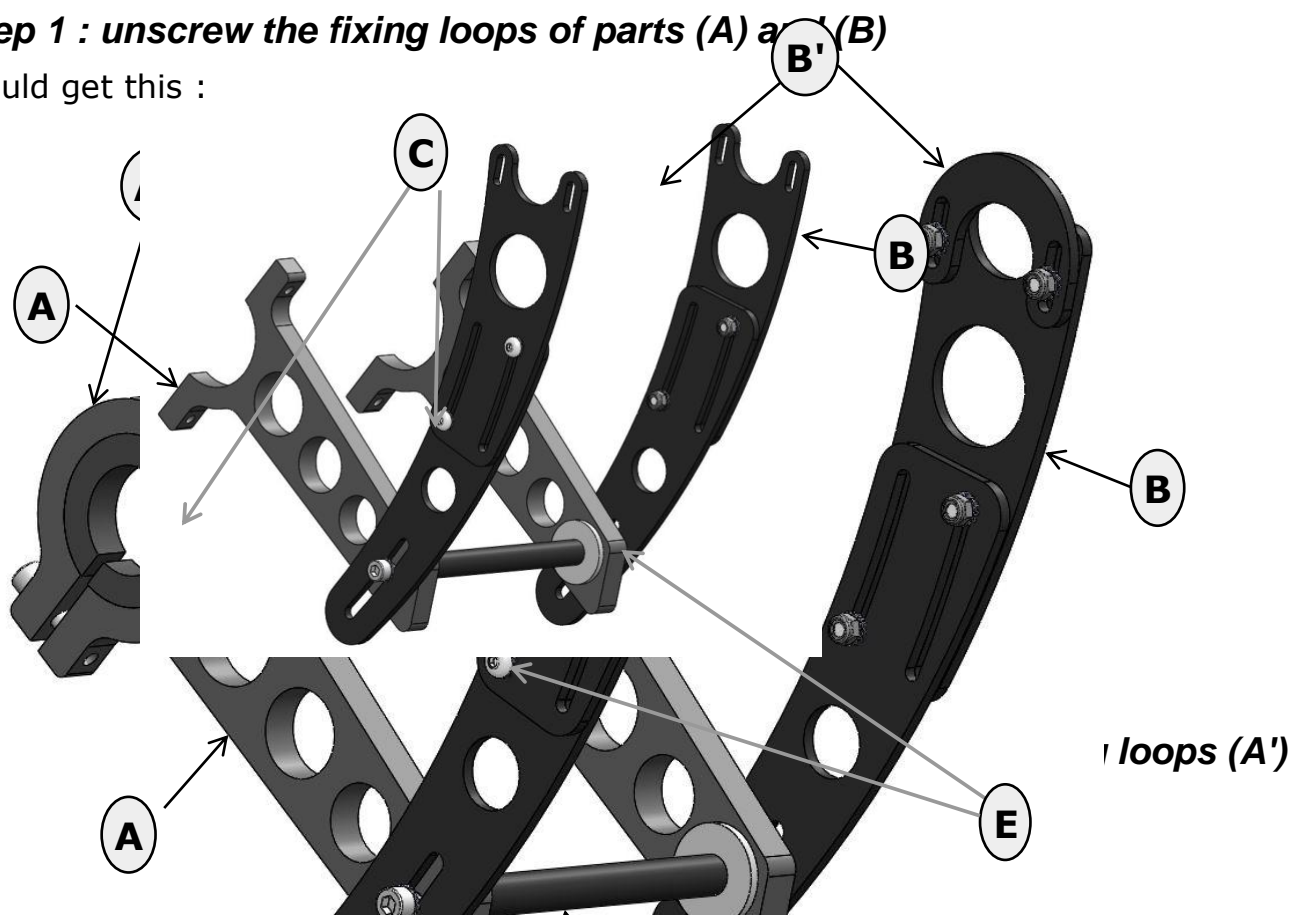
- 2 fixed parts (A)
- 2 loops (A')
- 2 adjustable parts on the length (B)
- 2 loops (B')
- 2 rubber struts (C)
- an axis (D)
- 4 adjusting screws (E)
- 2 fixing screws of the axis (F)

Both parts will be fixed on the bars of camber of the wheelchair.

2. Setting up the device

1. Step 1 : unscrew the fixing loops of parts (A) and (B)

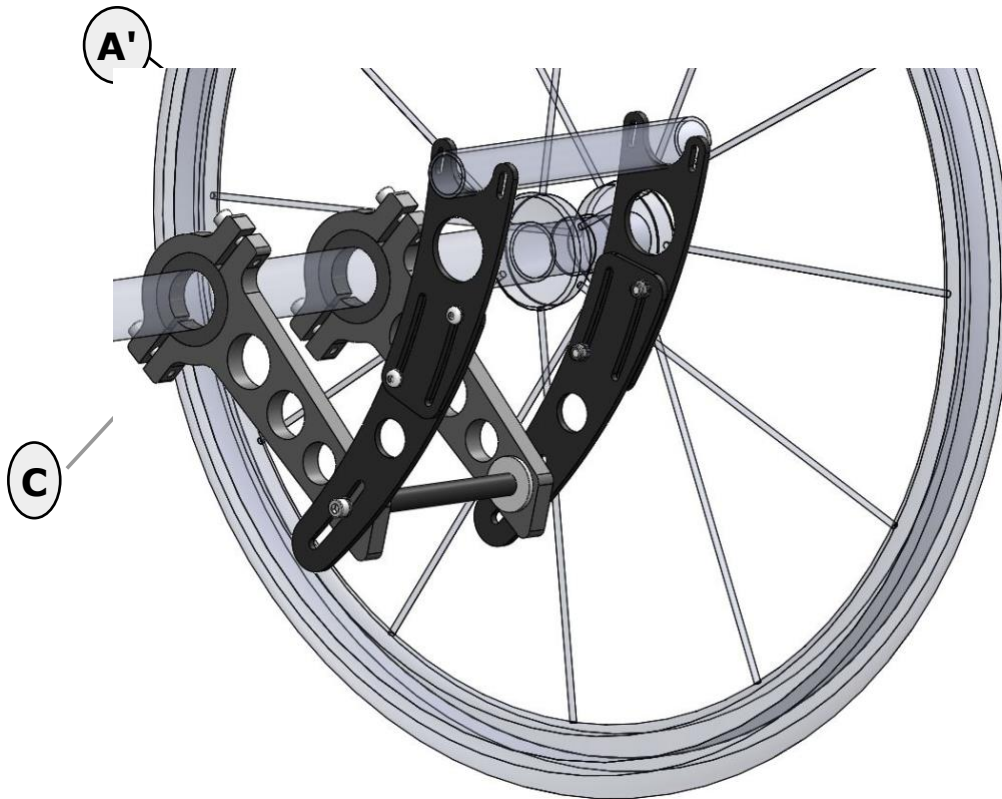
You should get this :



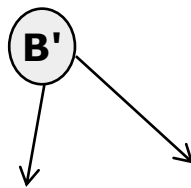
on the fixed parts (A)

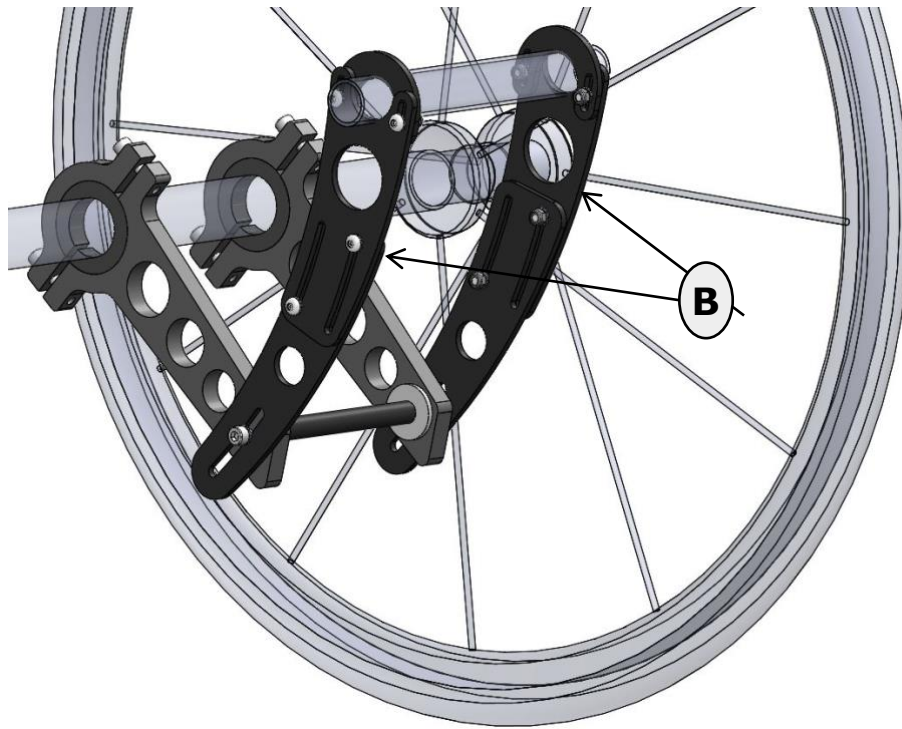
Important : the pieces (A) must be **perfectly centered** to make sure the Yomper works well.

There is a gap of **120mm** between both loops (see red arrow)

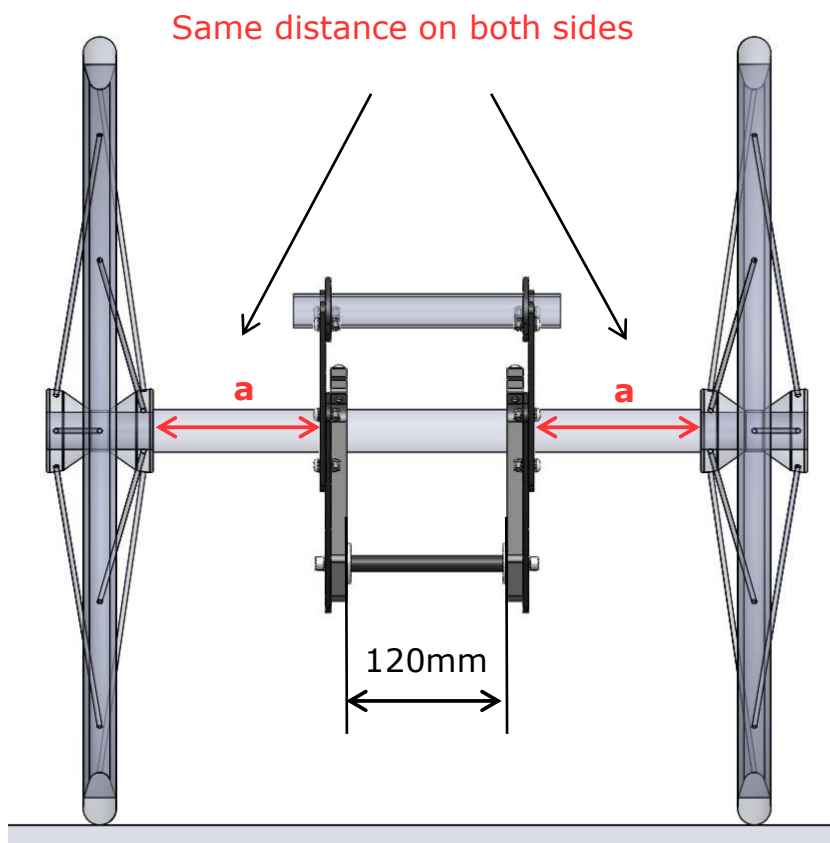


- 3. Step 3 : screw again (without blocking) the fixing loops (B') of the adjustable parts (B)**



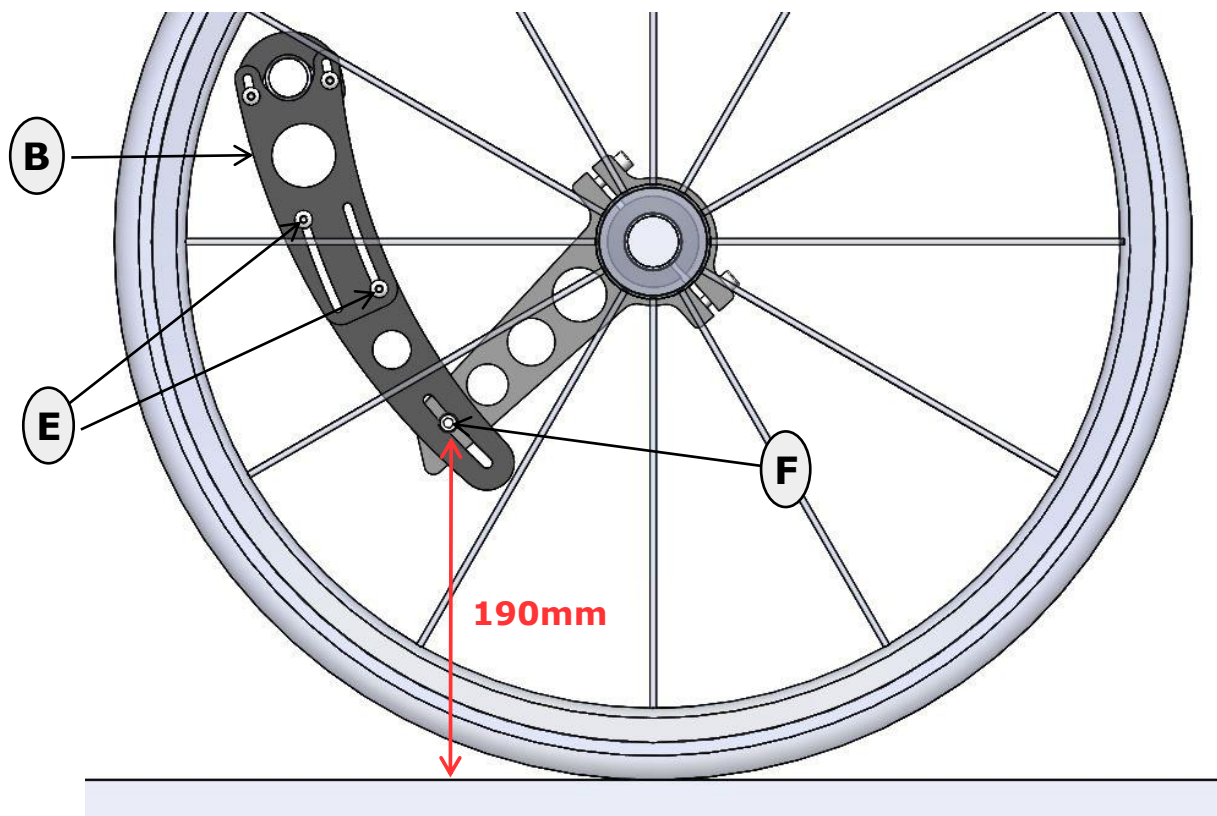


4. Step 4 : center the device on the wheelchair



5. Step 5 : adjust the height of the axis (D)

Adjust the length of the adjustable part (B) with screws (E) so the **distance from the axis to the ground is 190mm.**



It is also possible to adjust the distance axis-ground by making the parts (A) and (B) slide and by loosening the screw (F).

Tighten the screws of the 4 loops (A') and (B') to block the frame,

The wheelchair is ready for use, you can place the Yomper.

Manufacturer and Dealer in France

SARL Acekare

7 rue de Mireport

33310 LORMONT, France

09 80 80 85 15

contact@acekare.com